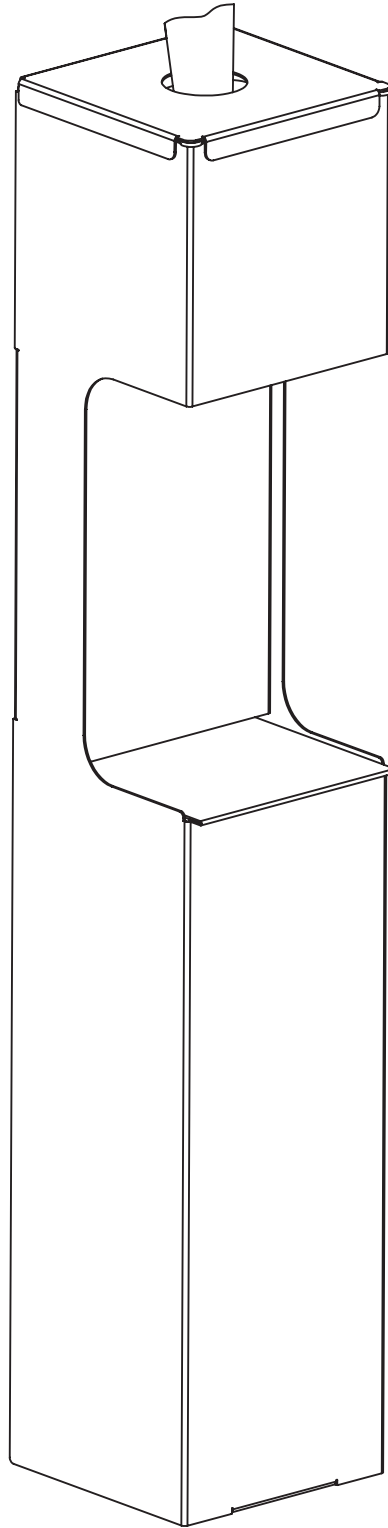




Dispenser units for public men's urinals



**TECHNICAL SPECIFICATIONS**

overall dimensions: (h) 680 x (w) 127 x (d) 130 mm  
weight: 3,1 KG

## Wall Bracket

material: stainless steel, unfinished  
dimensions: (h) 188 x (w) 108 x (d) 13 mm

## Dispenser Body

material: steel  
finishing: powder coated, diverse colors  
dimensions: (h) 680 x (w) 124 x (d) 130 mm

## Cap Tissue holder

material: steel  
finishing: powder coated, diverse colors, combined with 2 magnets  
dimensions: (h) 11 x (w) 127 x (d) 124 mm

## Waste bin lid

material: steel  
finishing: powder coated, diverse colors  
dimensions: (h) 15 x (w) 120 x (d) 115 mm

## Waste bin

material: aluminium  
finishing: powder coated, diverse colors  
dimensions: (h) 335 x (w) 118 x (d) 115 mm